

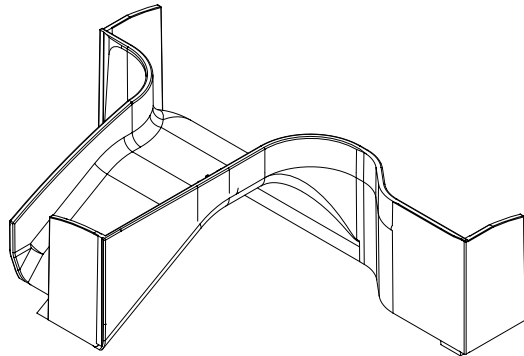
Multi Channel Raceway Fittings and Junction Boxes

Tee Fitting Divider - Left Side

Divides power and communications cables on the opposite side.

Features and Benefits

- Raceway and fittings are manufactured from a UL94 V0 rated material to insure compliance with codes.
- All fittings have been designed to maintain the required 1" minimum bend radius to meet TIA/EIA-568-B and 569-A standard.
- Raceway and fittings are UL Listed to 600 Volts to meet new UL5A and CSA 22.2 No. 62-93 standards.



MATERIAL	Polyvinylchloride (PVC)
Flammability	UL 94 V0
Operating Temperature	+122°F (+50°C)



PART NO.	TYPE	Color	Pkg. Qty.
MCR-LTD*	MCR-LTD	Black	1

Dimensions are approximate and subject to technical changes. Use Part No. for ordering and Type for specification purposes.
 *This product meets UL standards. Please see appendix for specific file numbers.



Please note! Not all products listed on this page may have this approval. Please check our website for latest approvals.